

EZIFIT THRU ROOF RELIEF VENT-BUSHFIRE CODE COMPLIANT



DESCRIPTION

The Ezifit THRU Roof Relief Vents with Bushfire Code Compliance have been designed for air intake and exhaust applications or control of pressure within buildings. They may be used in a ducted system where an inline fan is mounted remotely to the cowl. They comply with BAL-29 of the Australian Standard AS3959:2018 Construction of buildings in bushfire prone areas.

They are available in 150mm and 200mm diameters to suit metal roof types.

Typical Applications

Ventilation and exhaust applications in kitchens, bathrooms, ensuites and laundries in homes or commercial premises for BAL-29 rated bushfire prone areas.

Features

- Robust, galvanised steel construction.
- Easy and simple to install.
- Suitable for metal deck type roofs.
- Designed to be vertically mounted on a roof with a pitch of up to 45°.
- Powder coated finish is an optional extra.
- Ezifit Thru Roof exhaust fan units are also available.
- Compliant to AS3959:2018, up to and including BAL-29

Construction

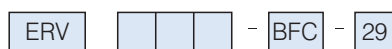
- Galvanised steel construction
- Backward-curved centrifugal impellers
- Duct support bracket/strap
- Roof flashing piece rated BAL-29

Special Note

Bushfire Prone Areas require a Bushfire Attack Level (BAL) assessment that determines a building's potential exposure to ember attack, radiant heat and direct flame contact in accordance with AS3959-2018: Construction of buildings in bushfire-prone areas.

Fantech offers the Ezifit THRU Roof Series Relief Vent that complies with the BAL 29 standard; increasing levels of ember attack and burning debris ignited by windborne embers, together with increasing heat flux

HOW TO ORDER



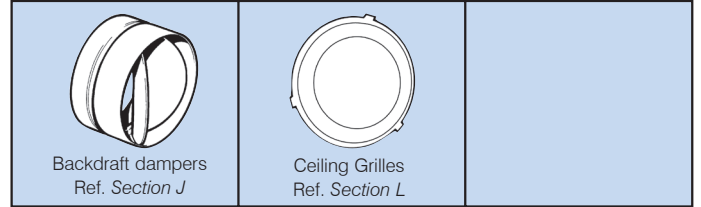
- ERV - Ezifit THRU Relief Vent
- Duct diameter in mm
- BFC - Bushfire Code Compliant
- 29 - Rated BAL-29

SUGGESTED SPECIFICATION

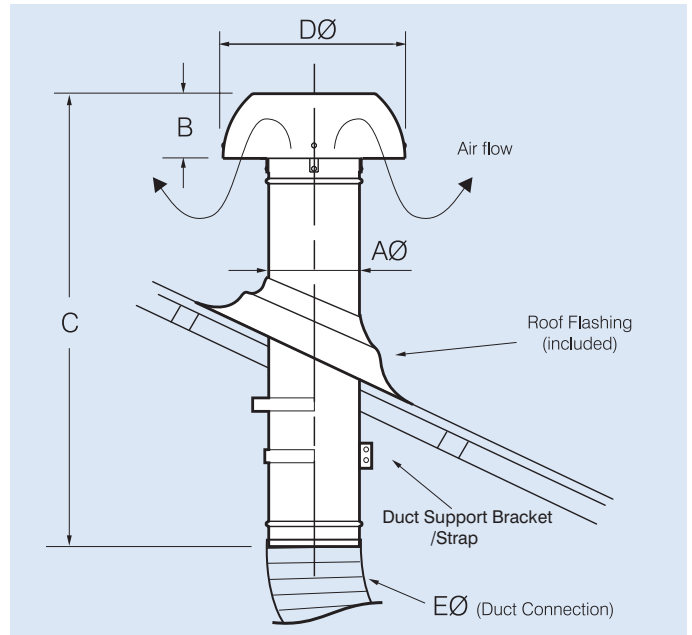
The roof ventilators shall be of the Ezifit THRU Roof Relief Vent Series with Bushfire code compliance to BAL-29 as designed and manufactured by Fantech Pty Ltd.

They shall be constructed from galvanised steel and include support and be suitable for vertically mounting on metal deck type roofs with a pitch of up to 45°.

The roof flashing piece for a metal type roof shall be included.



DIMENSIONS



Model Number	Dimensions, mm				
ERV..	AØ	B	C	DØ	EØ
150BFC..	140	100	700	285	150
200BFC..	200	153	950	445	200

