

# EZIFIT THRU ROOF SERIES - SUPPLY AIR



## SUGGESTED SPECIFICATION

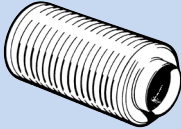

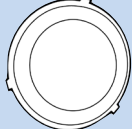

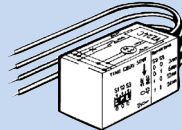
The roof ventilators shall be of the Ezifit Thru Roof supply air series as designed and manufactured by Fantech Pty Ltd.

The backward-curved centrifugal fans shall be direct-driven by continuous rated speed-controllable external rotor motors with manual-reset thermal protection.

They shall be constructed from galvanised steel, be suitable for tile and metal deck type roofs and include a 3-pin plug and lead.

All models shall be fully tested as a complete assembled unit to ISO5801:2007 for air flow and ISO3744: 2010 for noise.

## ANCILLARY EQUIPMENT

 CC - Circular attenuator Ref. Section H	 Backdraft dampers Ref. Section J	 Ceiling Grilles Ref. Section L
 VA - Speed controller Ref. Section M	 VZ - Run-on Timer Ref. Section M	

## DESCRIPTION

The Ezifit Thru Roof supply air fan provides fresh filtered air to internal spaces and is suitable for tile or metal deck type roofs. It includes a high performance fan that makes it suitable for long duct runs and a multiple number of supply points. It produces low noise within the occupied space because the fan is mounted outside the building.

## Typical Applications

Ideal for bringing fresh filtered air into homes office buildings, nursing homes, schools and day care centres.

## Features

- Robust, galvanised steel construction.
- Fitted with a replaceable G2 dust filter.
- Suitable for tile and metal deck type roofs.
- Easy and simple to install.
- Comes with convenient 3-pin plug and lead.
- Powerful centrifugal fan allows it to provide air to a number of points/rooms.
- High quality 'Continuous Rated' motor.
- Speed-controllable with electronic controller.
- Powder coated finish is an optional extra.

## Construction

Galvanised steel construction  
Backward-curved centrifugal impellers  
Duct support straps and removable dust filter included  
Roof flashing piece included, specify roof type (tile or metal) at time of order

## Motors

Type - external rotor, squirrel cage induction motor  
Electricity supply - 230V, single-phase, 50/60Hz  
Bearings - sealed-for-life, ball  
Can be fitted with speed-controller  
IP44 motor protection  
See pages O-2/3 for details on these motors

## Internal Thermal Protection

Manual reset protection is supplied as standard.

## Testing

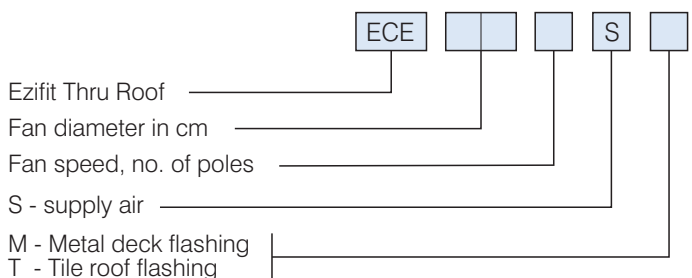
Air flow Tests to ISO5801:2007  
Noise tests to ISO3744: 2010

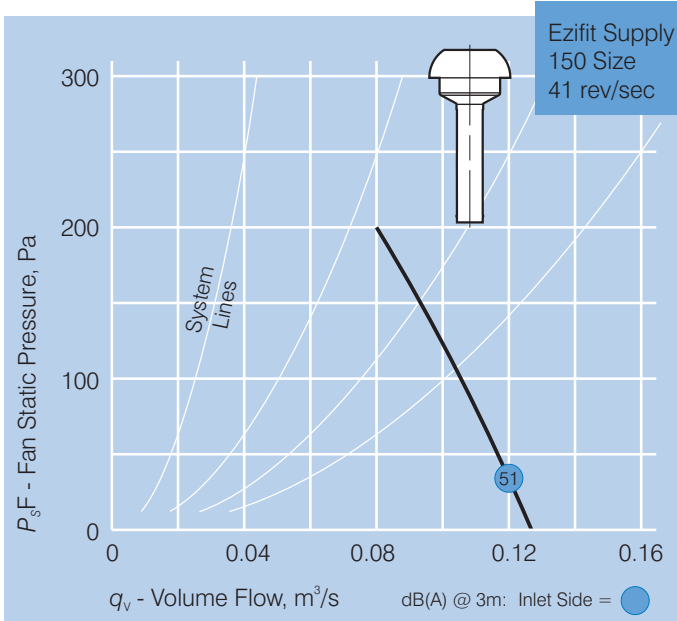
## TECHNICAL DATA

Model Number	Fan Speed rev/sec	Avg dB(A) @ 3m	ECE..S 1 ph. Watts	Amps	Approx weight kg
ECE...S	41	51	110	0.51	9.5

# Nominate roof flashing type: M=metal/deck roof, T=tile roof

## HOW TO ORDER





## DIMENSIONS

