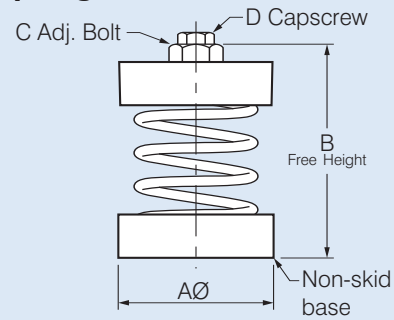


SPRING MOUNTS - 50mm DEFLECTION



DIMENSIONS & SELECTION TABLES

Open Spring Mounts



Model Number	Colour	Max. Load kg/mt	Static Defl. mm	Dimensions, mm			
				AØ	B	C	D
XLD-44	Black x2	6	50	80	137	M16	M10
XLD-45	White x2	9	50				
XLD-46	White/Vio	14	50				
XLD-47	Violet x2	22	50				
XLD-48	Vio/Yello	35	50				
XLD-49	Yellow x2	55	50	99	187	M20	M12
XWD-33	White	50	50				
XWD-34	Violet	75	50				
XWD-35	Yellow	110	50				
XWD-36	Brown	150	50	99	195	M20	M12
XWD-37	Orange	200	50				
XWD-38	Oran/Bla	250	50				
XWD-39	Oran/Gre	350	40				

FEATURES

An easily-installed, all-purpose spring mount in which the spring can be quickly interchanged to give a wide range of load-deflection characteristics, provides effective isolation of noise and vibration.

We have only featured the spring mounts most commonly used with the equipment shown in this catalogue.

Types XLD and XWD only

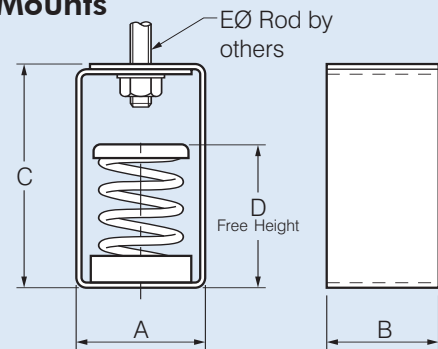
- heavy-duty steel spring.
- colour-coded for easy identification of the load range.
- built-in levelling bolt with locking capscrew, capable of compensating for full static deflection.
- separate top and bottom location cups.
- rubber-isolated bolt hole in base.
- moulded noise-absorbing rubber base cup with non-skid surface.

Type SHLD and SHWD only

- heavy-duty steel spring.
- colour-coded for easy identification of the load range.
- heavy-duty steel cage.
- large diameter lower isolated rod clearance hole in the cage.
- fully weatherproofed.

If features or ratings are required beyond that shown, please contact Fantech.

Hanger Mounts



Model Number	Colour	Max. Load kg/mt	Static Defl. mm	Dimensions, mm				
				A	B	C	D	EØ
SHLD-44	Black x2	6	50	95	75	180	124	12
SHLD-45	White x2	9	50					
SHLD-46	White/Vio	14	50					
SHLD-47	Violet x2	22	50					
SHLD-48	Vio/Yello	35	50					
SHLD-49	Yellow x2	55	50	115	100	200	142	16
SHWD-33	White	50	50					
SHWD-34	Violet	75	50					
SHWD-35	Yellow	110	50					
SHWD-36	Brown	150	50	115	100	200	150	16
SHWD-37	Orange	200	50					
SHWD-38	Oran/Bla	250	50					
SHWD-39	Oran/Gre	350	40					

HOW TO ORDER

When selecting vibration isolators, divide the weight of the unit being isolated by the number of mounts being used to determine the kg/mount required. Then select the mount with the next highest weight loading and deflection required. Vibration isolators are generally used in sets of four.